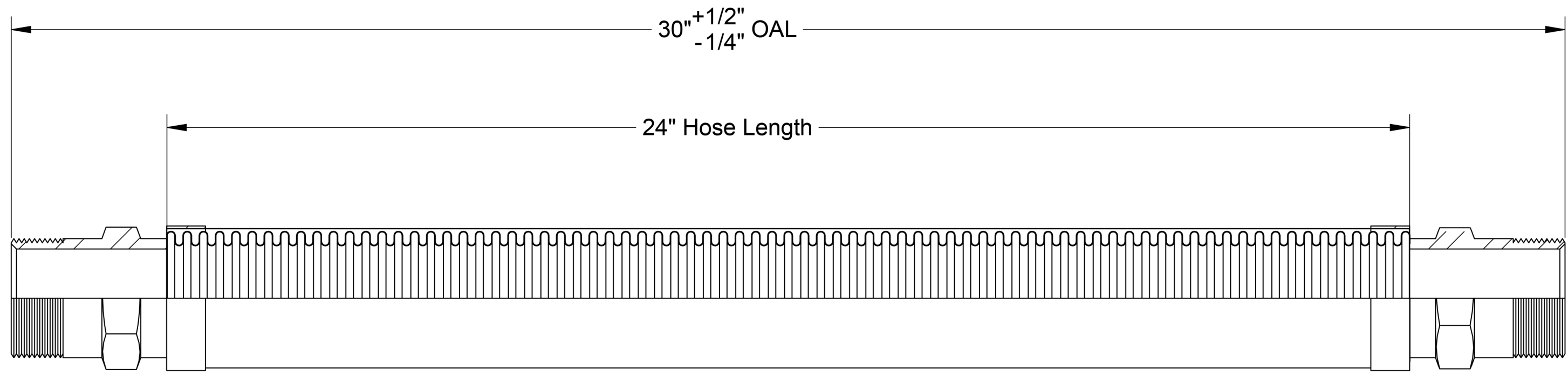
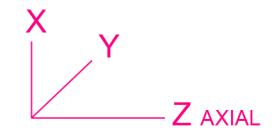
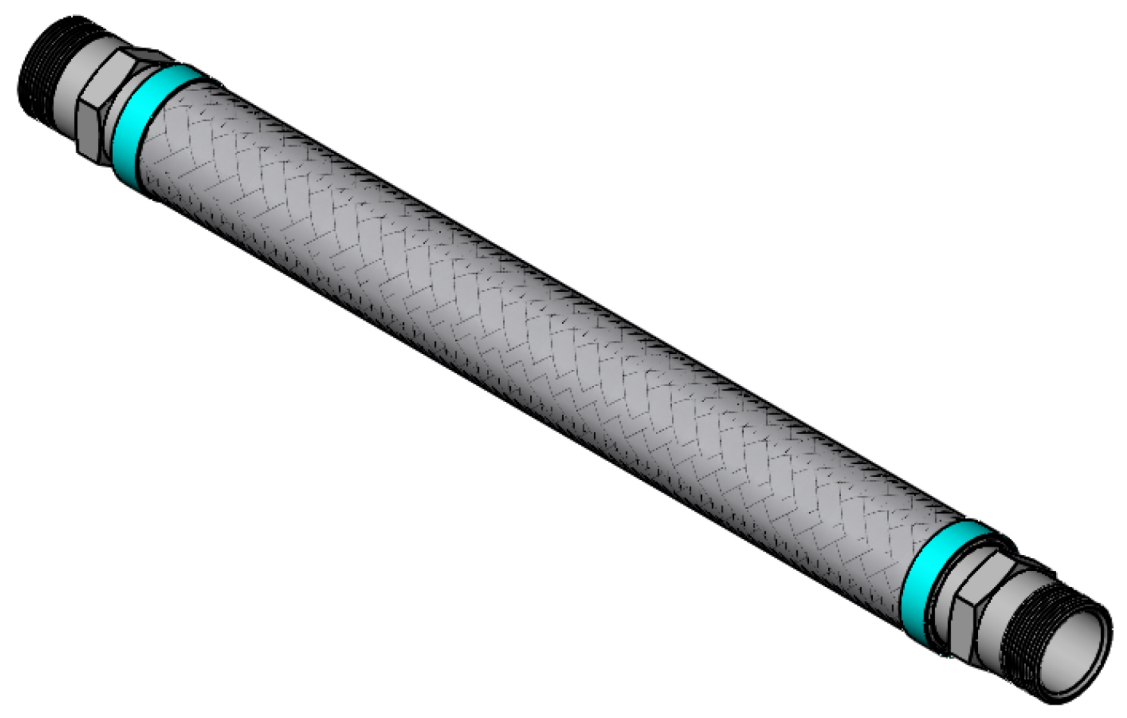


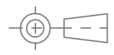


REVISIONS			
REV.	DESCRIPTION	DATE	APPROVED



ITEM #	QTY.	PART NUMBER	DESCRIPTION	MATERIAL	WEIGHT
1	1	HOSE	300 Series Stainless HYDROFORMED Corrugated Hose	Stainless Steel	1.37
2	1	BRAID	300 Series Stainless Steel	Stainless Steel	0.12
3	2	BRAID COLLAR	0.05" Thick	Stainless Steel	0.09
4	2	2" MALE	2" Male, 2"x11-1/2" Thread, 2.38" Hex	Carbon Steel	1.18



		HOSE MASTER Inc. 1233 East 222nd Street • Cleveland, Ohio 44117 (800) 221-2319 • Fax: (216) 481-7557 • www.hosemaster.com Locations: Cleveland • Houston		Registered to: ISO 9001 : 2000 
Projection: 	Customer: Hose Master Inc.	Prepared By: kannk		
	Reference: Fire-Shield - 2" Male x 2" Male x 30" OAL	CALC. WEIGHT: 4 lbs.	Date: 9/24/2009	
	Description: 2" ID x 30" OAL 300 Series Stainless HYDROFORMED Corrugated Hose covered by 300 Series Stainless Braid. UL Approved 2" Male Connectors			
	Drawing #:	FSMM0200x30		
		Rev.:	-	
			SHEET 1 OF 1	